

## SPECIFICATIONS

**CAPACITY:**  
Adjustable 0-17 GPM (64,6 LPM)

**MAXIMUM TEMP:**  
KT-05 model – 200°F (93°C)  
Other models – 150°F (66°C)

**MAXIMUM AIR PRESSURE:**  
120 psi (8,0 bar)

**MINIMUM AIR PRESSURE:**  
20 psi (1,2 bar)

**DRY LIFT CAPACITY  
@120 psi (8,0 bar):**  
Models with Teflon balls –  
10 feet (3 meters)  
Other models – 15 feet (4,5 meters)

**WEIGHT:**  
PVDF models – 9 pounds (4,1 kg)  
Other models – 12 pounds (5,4 kg)

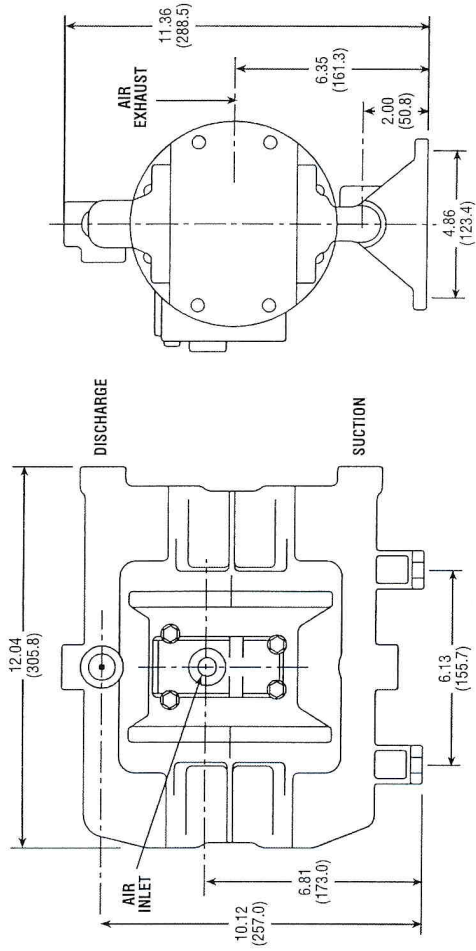
**MAXIMUM SOLIDS:**  
1/8" (3,2 mm)

**AIR SUPPLY:**  
Inlet – 1/4" NPT Female  
Outlet – 3/8" NPT Female

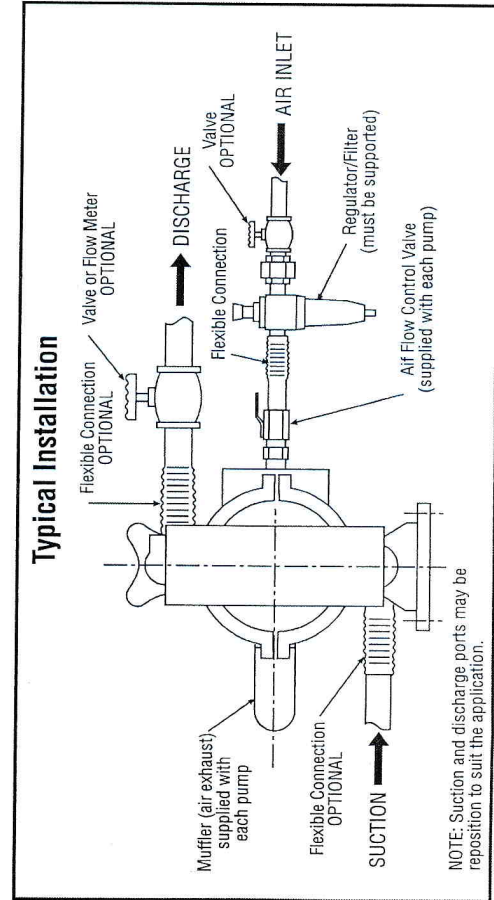
**FLUID INLET/DISCHARGE:**  
1/2" NPS Female (BSP compatible)

## DIMENSIONS

Dimensions in inches and (mm)



## DO NOT USE AIR LINE LUBRICATION



## PERFORMANCE CURVE

(Based on water-flooded suction)

